

# SNOLIFT

EASY SHOVEL



## = ASSEMBLY INSTRUCTION =

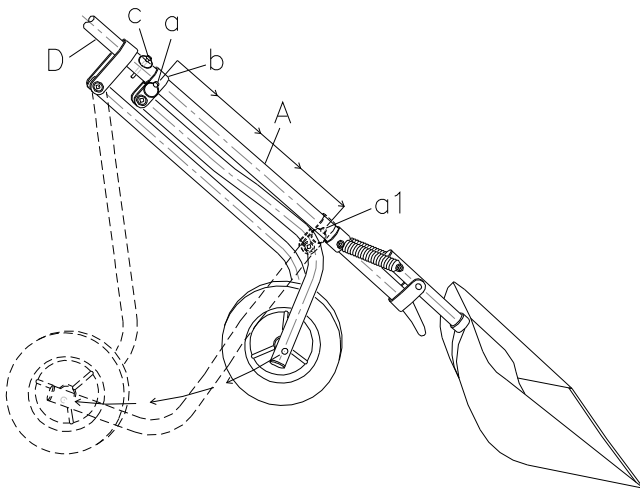
### Parts List:

No.	Description	Quantity	No.	Description	Quantity
A	Main Frame.	1	1	Blade's Bolt	1
B	Plastic Blade.	1	2	Handle's Bolt	1
C	Upper T-Handle.	1	3	Wrenches	2
D	T-Handle Extension.	1			

### Assembly:

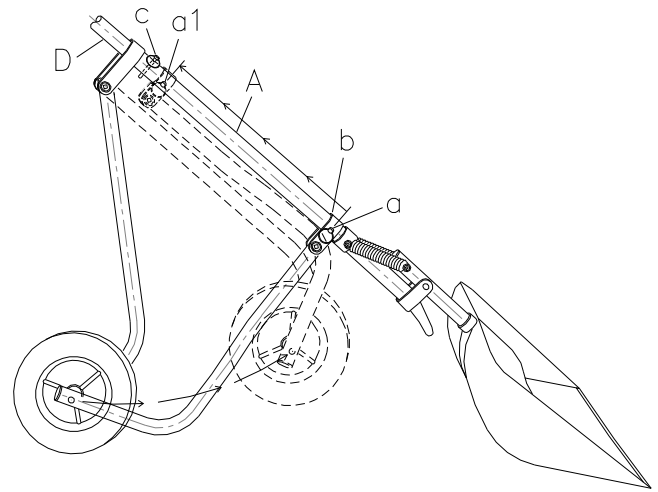
1. Remove all items and parts from box.
2. Insert Plastic Blade (B) into front-end of Main Frame (A) then tighten bolt (1) and nut provided firmly.
3. Insert T-Handle Extension (D) into Upper T-Handle (C) then tighten bolt (2) provided firmly.
4. Assembly completed.

## = USER INSTRUCTION =



### Unfolding for Use:

1. Pull Locking Pin (a) from plastic knuckle (b).
2. Slide knuckle (b) toward front of main frame (A).
3. Insert Locking Pin into plastic knuckle at (a1).
4. Insert T-Handle (D) into Main Frame (A), adjust height to suit and insert Pin (c) into hole. Approximately 42" from handle to floor.
5. Ready for use.



### Folding for Storage:

1. Detach T-Handle (D) by removing Pin (c) and re-insert Pin (c) for storage.
2. Pull Locking Pin (a) from plastic knuckle (b).
3. Slide knuckle (b) toward back of main frame (A).
4. Insert Locking Pin into plastic knuckle at (a1) to prevent unfolding.
5. Ready for storage.

### Warnings:

1. This product is to be used for residential purposes only (No commercial use).
2. Do not allow children to operate the device or to use it as a toy.
3. Never disassemble springs.
4. Lubricate main frame where knuckle is sliding on and all moving parts frequently for smooth operation.
5. Clean and store in dry place after each use.
6. This product is warranted against defective parts and not from misuse or deterioration of the product through normal wear and tear.

### Limited 90 days warranty:

This product is warranted to be free of defects due to workmanship and materials for a period of 90 days from the original date of purchase. Proof of purchase is required. This warranty does not apply where the product has been abused, misused, or improperly maintained. Any modification of this product, such as disassembly of this product will void this warranty automatically.

The warranty and remedies set forth above are exclusive in lieu of all other warranties, remedies and conditions, whether oral or written, express or implied. Duraline specifically disclaims any and all implied warranties, including, without limitation, warranties of merchantability and fitness for particular purpose. If Duraline cannot lawfully disclaim implied warranties under this limited warranty, all such warranties, including warranties of merchantability and fitness for a particular purpose are limited in duration to the duration of this warranty. No Duraline reseller, agent, or employee is authorized to make any modification, extension, or addition to this warranty.

Duraline is not responsible for direct, special, incidental or consequential damages resulting from any breach of warranty or condition, or under any other legal theory, including but not limited to lost profits, downtime, goodwill, damage to or replacement of equipment and property.

### Return Policy:

If this product received damaged or defective, it must be returned in this carton with original packing material. Other packaging material can not be used as damage may occur to the product.

Distributed by: DURALINE, 1111 Flint Road, Unit 27, North York, Ontario M3J 3C7 CANADA

## = OPERATION INSTRUCTION =



### Gathering Stage [1]:

Gathering snow into the bucket just as you would with an ordinary shovel.



### Initial Launch Stage [2]:

A sudden push downwards on the handlebar causes the spring loaded bucket to tilt downward.



### Gathering Stage [4]:

Once the launch process is completed, the spring loaded bucket retracted to the initial position and ready for the next cycle to begin.



### End of Launch Stage [3]:

The combination of the downward motion on the handlebar and tilted spring loaded bucket causes the snow to be launched forward.



### Directional Launching:

Left or Right launching can also be done by slightly tilting the handlebar left or right while launching is in progress.